

Specifications

iQ appliance (AM30) specifications

Model AM30

Overview

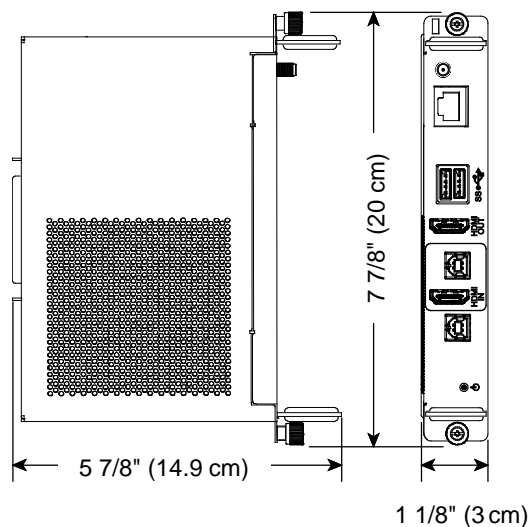
The iQ appliance is designed specifically to work with SMART Board 6000 and 7000 series interactive displays to provide a complete all-in-one experience for classrooms. This solution caters to a whole class, a small group or individual instruction.

When you install the iQ appliance in a SMART Board 6000 or 7000 series interactive display, you have one-touch access to a full suite of SMART education and third-party applications without connecting an external computer. These applications include the powerful whiteboard, a built-in web browser, access to a number of SMART Learning Suite applications and wireless screen sharing, all without the need for an external computer. The iQ appliance provides a simple, fully integrated experience between student devices and interactive displays.

Connect any Bluetooth-enabled mobile device to the interactive display by scanning the Quick Response (QR) code on the screen. When you first connect your mobile device, you're directed to the App Store or Google Play to download the SMART kapp app. After installing the app, you can connect to your interactive display and share notes with others. You can write notes in black or red ink using the provided pens and erase notes with the pens' erasers or with your palm or fist. Participants can also contribute to the session by writing or drawing directly from their mobile devices.

Dimensions and weights¹

Dimensions



Weight

1 lb. 8 oz. (670 g)

Shipping dimensions

12 1/4" × 9 1/4" × 3"
(31.1 cm × 23.5 cm 7.6 cm)

Shipping weight

2 lb. 4 oz. (1 kg)

¹All dimensions ± 1/8" (0.3 cm). All weights ± 2 lb. (0.9 kg).

Hardware

Processor	APQ8074AC with HDCP support for output only
Memory	3 GB LPDDR3 SDRAM, 931.2 MHz
Storage	8 GB eMMC Flash
Wireless technology	Bluetooth 4.0 dual mode (backwards compatible with Bluetooth 2.1 + EDR) 802.11A/B/G/N/Ac
Capture options	Establish a Bluetooth wireless connection with a supported mobile device (see below) by scanning the appliance's unique QR code
Connectors	USB 2.0 Type-B ² HDMI 1.4 in (1920 × 1080) USB 2.0 Type-B HDCP-encrypted HDMI 1.4 out (1920 × 1080) USB 3.0 Type-A (×2) RJ45 Gigabit Ethernet

iQ system software

Supported languages	French German Italian Japanese Korean Norwegian Simplified Chinese Spanish Swedish Traditional Chinese
----------------------------	---

Installation requirements

Appliance	See the <i>iQ appliance for SMART Board 6000 and 7000 series interactive displays installation instructions</i> (smarttech.com/kb/170947)
------------------	--

SMART kapp app

Apple devices	iOS 9 or later operating system software 50 MB of storage iPhone 4S or later Third generation iPad or later First generation iPad mini or later Fifth generation iPod touch or later
---------------	---

²For service use only.

Android devices	Android 4.4.4 (KitKat) or later operating system 50 MB of storage (internal or SD card) 1024 MB of RAM 720p or better screen resolution Bluetooth 2.1 + EDR 3 megapixel or better rear-facing camera (recommended)
-----------------	---

SMART kapp viewer

Mobile	Safari for iOS 8.1 or later operating system software Chrome for Android 39.0.2171.93 or later
Desktop	Internet Explorer 10 or later Chrome 39.0.2171.95 or later Firefox 34.0.5 or later Safari 8.0 or later

Storage and operating requirements

Power requirements	19V at 5A DC
Power consumption at 77°F (25°C)	≤60 W
Operating temperature	32–122°F (0–50°C)
Storage temperature	-40–140°F (-40–60°C)
Humidity	85% relative humidity, non-condensing

Certification and compliance

Regulatory certification	UL (U.S./Canada), FCC, IC, CE Mark, RCM Mark
---------------------------------	--

Environmental compliance

European Union	REACH, RoHS, WEEE and Packaging
U.S.	Packaging and Conflict Minerals

Purchasing information

Order number

UGK-KAPPIQ-AM30-EDU	iQ appliance for SMART Board 6000 and 7000 series interactive displays
---------------------	--

Warranty

Three-year limited equipment warranty

Extended warranty

EWY1-KAPPIQ-AM30	One-year warranty extension
EWY2-KAPPIQ-AM30	Two-year warranty extension

SPECIFICATIONS

IQ APPLIANCE (AM30) SPECIFICATIONS – MODEL AM30

smarttech.com/support
smarttech.com/contactsupport

© 2017 SMART Technologies ULC. All rights reserved. SMART Board, smarttech, the SMART logo and all SMART taglines are trademarks or registered trademarks of SMART Technologies ULC in the U.S. and/or other countries. All third-party product and company names may be trademarks of their respective owners. This product and/or use thereof is covered by one or more of the following U.S. patents: www.smarttech.com/patents. Contents are subject to change without notice. 10-2017.