



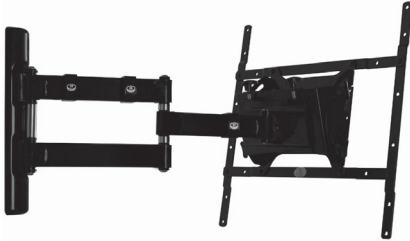
BT7535

**FLAT SCREEN WALL MOUNT
WITH DOUBLE ARM EXTENSION, TILT & SWIVEL
INSTALLATION GUIDE & PARTS LIST**



This Pack Contains 1 Mount

PLEASE KEEP THIS FOR FUTURE REFERENCE



FEATURES

- Designed for medium flat screens up to 50" (127cm) / 40kg
- Fits screens with VESA mounting patterns:
75 x 75mm, 100 x 100mm, 200 x 100mm, 200 x 200mm, 300 x 200mm,
400 x 200mm, 200 x 300mm, 400 x 300mm and 400 x 400mm
VESA mounting patterns
- Incorporates post installation screen levelling
- Easy tilt adjustment +/-15° tilt
- Features three swivel points: 180° at wall, 360° at central pivot
and 240° at interface
- Security locking screws and Allen key provided for a secure installation
- Simple installation with all mounting hardware included

Community Design No.
001713280-0015
Reg. Design No. 4003132



CONTENTS

Installation Safety Notes.....	2
Parts List.....	4
Installation Instructions.....	6
Product Dimensions.....	14
B-Tech Contact Details.....	16

INSTALLATION TOOLS REQUIRED

13mm (1/2")
Spanner or socket

Drill

10mm (7/16") masonry bit
or 6mm (1/4") wood bit

Pencil

Level
(optional)

Stud finder
(optional)



B-TECH AUDIO VIDEO MOUNTS

www.btechavmounts.com

INSTALLATION SAFETY INSTRUCTIONS



CAUTION: This wall mount is intended for use only with the maximum weights indicated. Use with flat screens heavier than the maximum indicated may result in instability causing possible injury.

Do not attempt to install this product until all instructions and warnings have been read and properly understood. Please keep these instructions for future reference.

Please check carefully to make sure there are no missing or defective parts - defective parts must never be used. B-Tech International Limited, its distributors and dealers are not liable or responsible for damage or injury caused by improper installation, improper use or failure to observe these safety instructions. In such cases, all guarantees will expire.

General

B-Tech International Ltd recommends that a professional AV installer or other suitably qualified person install this product. Great care must always be taken during installation as most AV equipment is of a fragile nature, possibly heavy and easily damaged if dropped.

If you do not fully understand the instructions or are not sure how to install this product safely, then please consult a professional for advice and/or to install this product for you. Failure to mount this product correctly may cause serious injury or death both during installation and at any time thereafter. Do not mount any AV equipment that exceeds the specific weight limit of the product you are installing. This weight limit will be clearly stated on each product and its packaging and will vary from product to product.

Product location

Please pay careful attention to where this product is located. Some walls are not suitable for installation.

If located in a public or frequently populated area ensure that the product is out of the immediate reach of people. If any AV equipment is to be suspended over the likely path or location of people then great care should be taken to secure all parts of the installation from falling.

If you install this product on drywall it must be securely fixed to a wooden stud, concrete block or other permanent structure behind the drywall board. Installing on drywall boards alone will not support the weight of most AV equipment.

When drilling holes in walls it is essential to avoid contact with electrical cables and water or gas pipes contained within. Use of a good quality live wire detector and hidden object locator is therefore recommended. Only drill into structures when you are sure it is safe to do so.

Fixing hardware

It is highly recommended that all wall fixing screws be used where supplied and that the purpose of all other fixing hardware is fully understood. In some cases more AV equipment fixing hardware will be supplied to accommodate different models of equipment and set up configurations.

The installer must be satisfied that any supplied fixing hardware is suitable for each specific installation. If any fixing screws or included hardware are deemed not sufficient for a safe installation then please consult a professional or your local hardware store.

Hazard limitation

When routing cables take advantage of any built in cable management features that the product might provide and ensure that all cables are tidy and secure. Check to see that any moving aspect of the product can do so unhindered by any cabling.

Some products have moving parts and the potential to cause injury through the crushing or trapping of fingers or other body parts.

Particular attention to the nature of moving parts is required especially when assembling installing and adjusting during set up.

Immediately after installations double-check that the work done is safe and secure. Double-check all necessary fixings are present and are of ample tightness.

It is recommended that periodic inspections of the product and its fixing points are made as frequently as possible to ensure that safety is maintained. If in doubt consult a professional AV installer or other suitably qualified person.

CS

Společnost B-Tech International Ltd. doporučuje provést instalaci tohoto produktu prostřednictvím odborného instalátora AV či jinak způsobilé osoby. Společnost B-Tech International Ltd, její distributoři a prodejci nenesou odpovědnost za škody nebo zranění způsobená nevhodnou instalací. Tento výrobek je nutno umístit do vhodné konstrukce a používat jen po uvedené maximální výšce.

DE

B-Tech International Ltd. empfiehlt, dass dieses Produkt durch einen qualifizierten AV-Techniker oder eine andere Person mit geeigneter Qualifikation installiert wird. B-Tech International Ltd, ihre Distributoren und Händler können nicht für durch fehlerhafte Montage verursachte Beschädigung oder Verletzung haftbar bzw. verantwortlich gemacht werden. Dieses Produkt muss auf eine geeigneten Untergrund montiert werden und darf nur bis zum angegebenen Höchstgewicht verwendet werden.

ES

B-Tech International Ltd. recomienda que un instalador de audio y video profesional u otra persona debidamente cualificada instalen este producto. B-Tech International Ltd, sus distribuidores y concesionarios no se hacen cargo ni se responsabilizan de ningún daño o lesión provocados por una instalación inapropiada. Este producto se debe montar en una estructura adecuada y se debe utilizar soportando solamente hasta el peso máximo indicado.

FR

B-Tech International Ltd. recommande de confier l'installation de ce produit à un installateur AV professionnel ou à une autre personne dûment qualifiée. B-Tech International Ltd, ses distributeurs et ses revendeurs ne sauraient être tenus responsables de tout dégât ou de toute blessure résultant d'une installation incorrecte. Ce produit doit être monté sur un support approprié et utilisé dans la limite du poids maximum indiqué.

IT

B-Tech International Ltd. consiglia di affidare l'installazione di questo prodotto a un installatore specializzato o ad altra persona adeguatamente qualificata. B-Tech International Ltd, i suoi distributori e rivenditori non accettano alcuna responsabilità nei riguardi di eventuali danni o infortuni causati da un'errata installazione. Questo prodotto deve essere fissato a una struttura idonea e utilizzato unicamente sino al peso massimo indicato.

NL

B-Tech International Ltd. adviseert om dit product te laten installeren door een professionele AV-installateur of andere hiervoor gekwalificeerde persoon. B-Tech International Ltd, haar distributeurs en dealers zijn niet aansprakelijk of verantwoordelijk voor schade of letsel die is veroorzaakt door onoordeelkundige installatie. Dit product moet worden gemonteerd aan een geschikte constructie, waarbij het aangegeven maximum gewicht niet mag worden overschreden.

PL

Firma B-Tech International Ltd. zaleca, aby ten produkt był instalowany przez profesjonalnych instalatorów AV lub inny odpowiednio przeszkolony personel. Firma B-Tech International Ltd, jej dystrybutorzy i dealerzy nie ponoszą odpowiedzialności za uszkodzenia lub obrażenia ciała powstałe w wyniku nieprawidłowej instalacji. Niniejszy produkt musi być zamontowany na odpowiedniej powierzchni, a podczas użytkowania nie wolno przekraczać podanego maksymalnego obciążenia.

PT

A B-Tech International Ltd. recomenda que a instalação deste produto seja efectuada por um instalador de AV profissional ou outra pessoa devidamente habilitada. A B-Tech International Ltd, e os seus distribuidores e concessionários não são responsáveis por danos ou lesões causados por uma instalação incorrecta. Este produto tem de ser montado numa estrutura adequada e utilizado somente até ao peso máximo indicado.

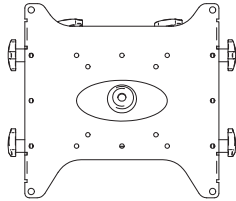
RU

Компания B-Tech International Ltd. рекомендует, чтобы установка данного изделия производилась инженером по установке аудио-видеотехники или другим специалистом с соответствующей квалификацией. Компания B-Tech International Ltd., ее дистрибьюторы и дилеры не несут ответственности за повреждения или травмы, полученные в результате неправильной установки. Данное изделие должно

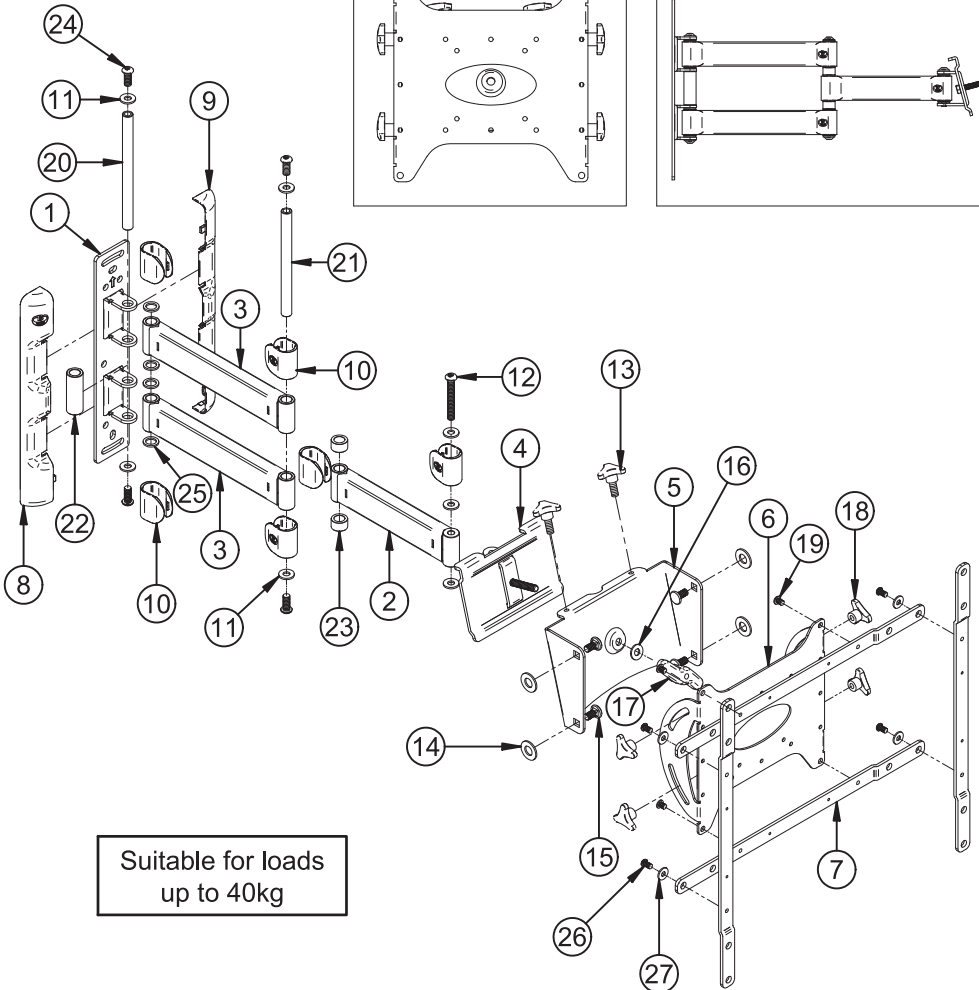
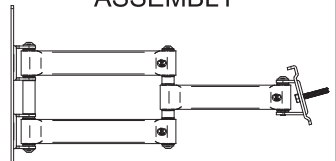
توصي بي-تك للتجارة الدولية المحدودة بأن شخص محترف في تركيب ال AV أو شخص مؤهل تأهيلا مناسباً لتركيب هذا المنتج. بي-تك للتجارة الدولية، موزعها والتجار ليست عرضة أو مسؤولة عن الأضرار أو الإصابات الناجمة عن تركيب غير سليم، والاستخدام غير السليم أو عدم مراعاة هذه التعليمات للسلامة. يجب أن يتم تركيب هذا المنتج في بنية مناسبة ويجب استخدام فقط لدعم الحد الأقصى للوزن المشار إليه.

BT7535 PARTS LIST

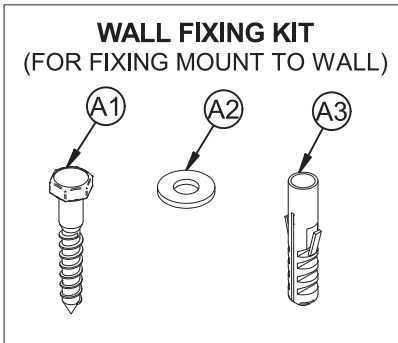
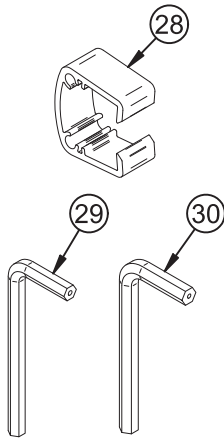
INTERFACE ASSEMBLY



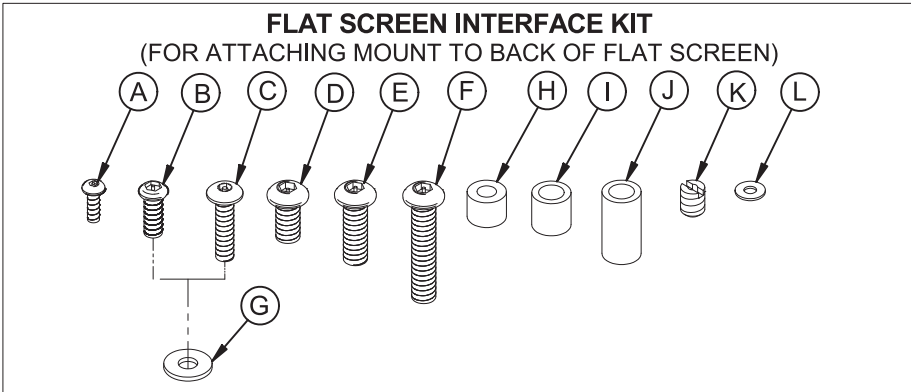
WALL PLATE, ARM & LEVELLING PLATE ASSEMBLY



Suitable for loads
up to 40kg



REF	PART NAME	QTY
1	WALL PLATE ASSEMBLY	1
2	SHORT ARM	1
3	LONG ARM	2
4	LEVELLING PLATE	1
5	BACK PLATE	1
6	INTERFACE PLATE	1
7	ADAPTOR ARM	4
8	LEFT COVER	1
9	RIGHT COVER	1
10	ARM COVER	6
11	M8 PLASTIC WASHER	7
12	M8 x 60mm PIN HEX SECURITY SCREW	1
13	M8 MALE HANDWHEEL	2
14	M12 PLASTIC WASHER	4
15	M8 x 16mm GUP SQUARE BOLT	4
16	M8 METAL WASHER	1
17	M8 WINGED HANDWHEEL	1
18	M8 FEMALE HANDWHEEL	4
19	M6 x 8mm PIN HEX SECURITY SCREW	4
20	LONG SHAFT	1
21	SHORT SHAFT	1
22	LONG SPACER	1
23	M13 x 12mm SPACER	2
24	M8 x 20mm PIN HEX SECURITY SCREW	4
25	M14 PLASTIC WASHER	4
26	M6 x 10mm PIN HEX SECURITY SCREW	4
27	M6 METAL WASHER	4
28	CLIPLOGIC™ CABLE MANAGEMENT CLIP	3
29	4mm PIN HEX ALLEN KEY (FOR PARTS 19, 26, A, B & C)	1
30	5mm PIN HEX ALLEN KEY (FOR PARTS D, E, F, 12 & 24)	2
INTERFACE KIT		
A	M4 x 12mm PIN HEX SECURITY SCREW	4
B	M6 x 16mm PIN HEX SECURITY SCREW	4
C	M6 x 25mm PIN HEX SECURITY SCREW	4
D	M8 x 16mm PIN HEX SECURITY SCREW	4
E	M8 x 25mm PIN HEX SECURITY SCREW	4
F	M8 x 40mm PIN HEX SECURITY SCREW	4
G	M6 METAL WASHER	4
H	M6 x 12mm SPACER	4
I	M8 x 13mm SPACER	4
J	M8 x 25mm SPACER	4
K	M8 TO M4 ADAPTOR	4
L	M4 WASHER (FOR PART K)	4
FIXING KIT		
A1	M8 x 50mm COACH SCREW	4
A2	M8 METAL WASHER	4
A3	Nº10 WALL PLUG	4

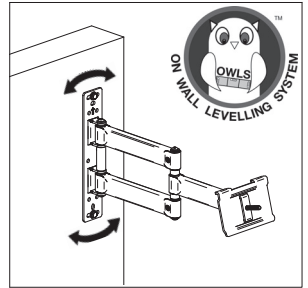
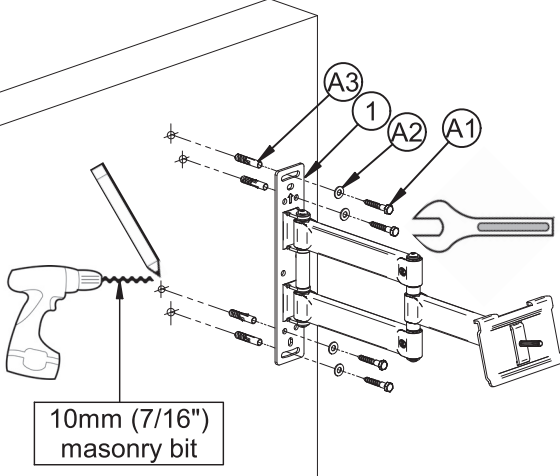


PLEASE KEEP THIS FOR FUTURE REFERENCE

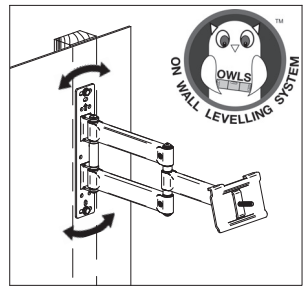
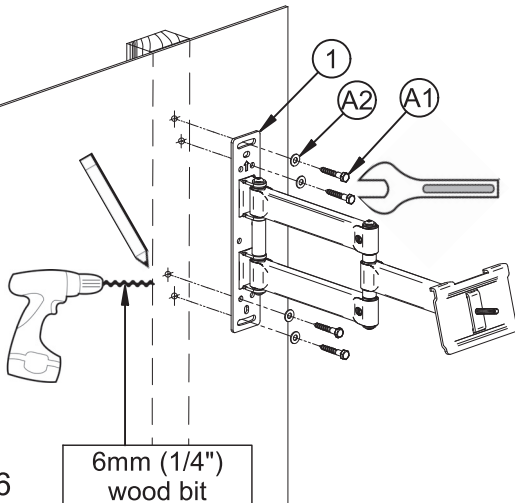
INSTALLATION INSTRUCTIONS

1 Fix wall plate to the wall using one of the following methods.

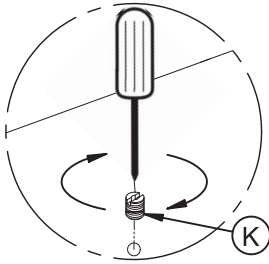
i. Concrete / brick walls.



ii. Wood / stud walls.



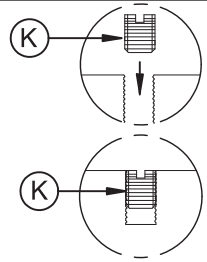
6



SCREENS WITH M8 FIXINGS

Screw parts K into the flat screen fixing holes.

Continue with screen mounting.



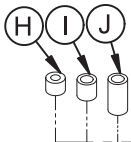
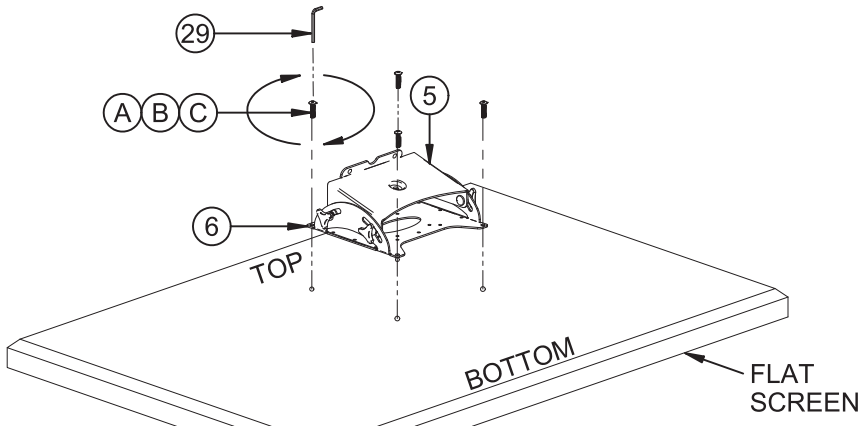
2

There are three methods of attaching the mount to the screen, depending on the screen fixing pattern.

- i. 75 x 75mm, 100 x 100mm, 200 x 100mm or 200 x 200mm (page 7)
- ii. 300 x 200mm or 400 x 200mm (page 8)
- iii. 300 x 300mm, 400 x 300mm or 400 x 400mm (page 9)

Attach the interface to the back of the screen.

i. For fixings up to 200 x 200mm, attach interface assembly to back of the screen.



FOR SCREENS WITH RECESS FIXINGS

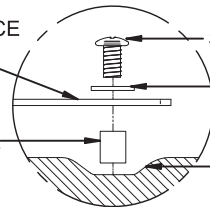
INTERFACE ARM

SPACER

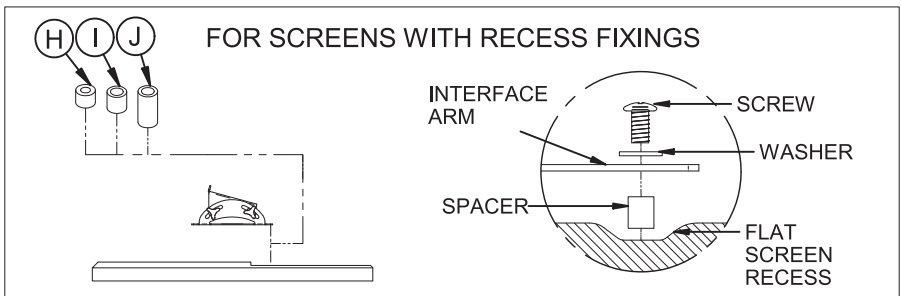
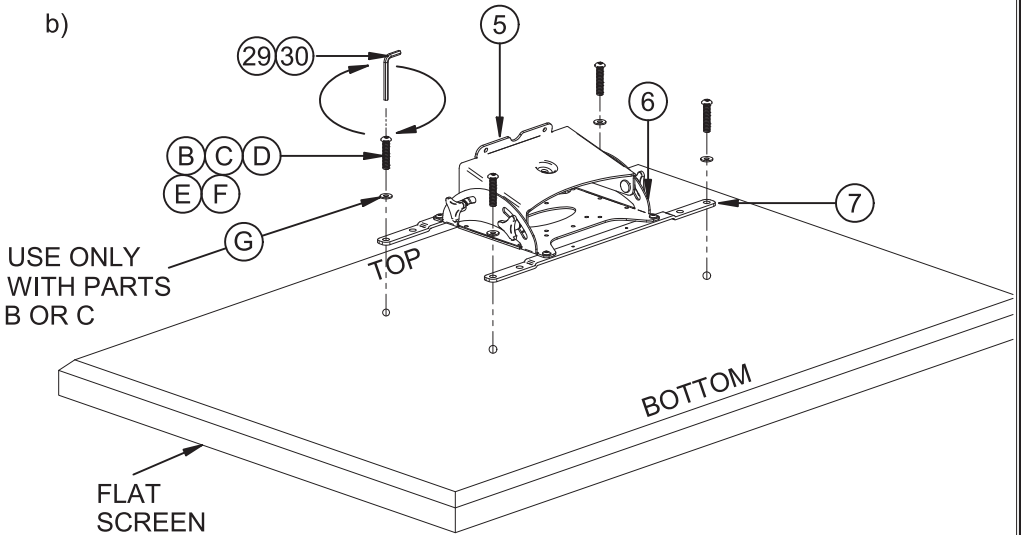
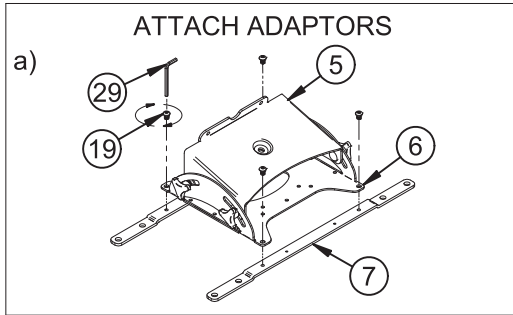
SCREW

WASHER

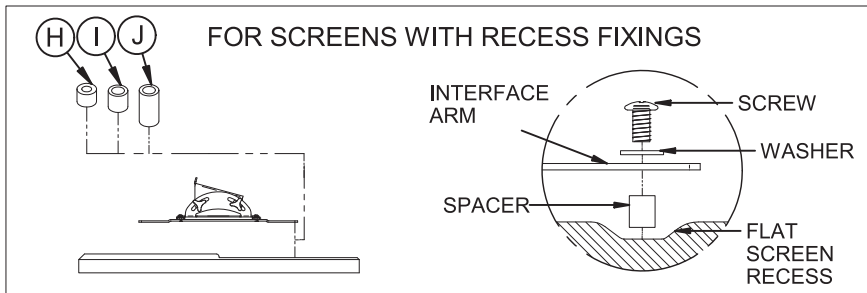
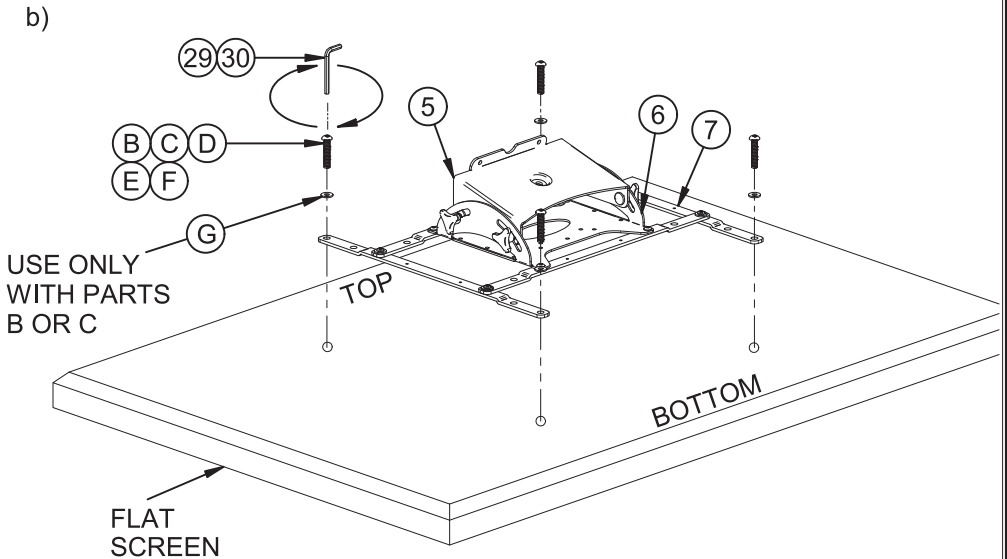
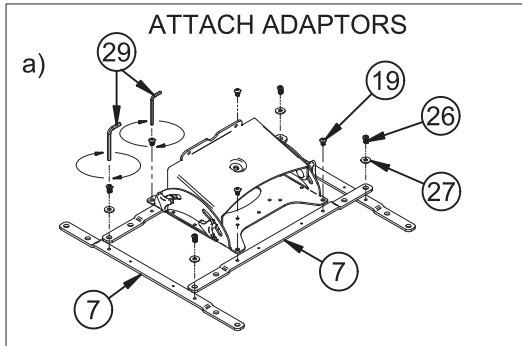
FLAT SCREEN RECESS



ii. For 300 x 200mm or 400 x 200mm attach adaptor arms to interface plate, then to the screen.

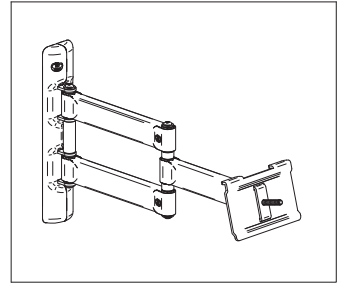
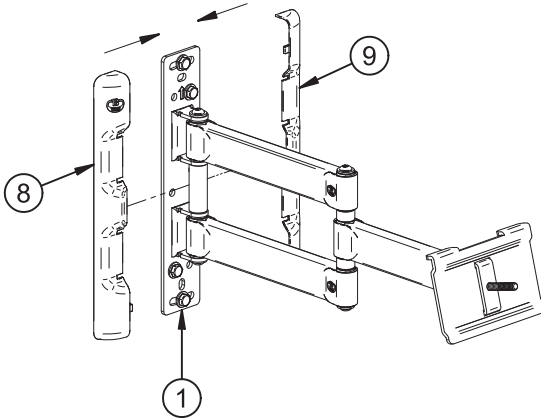


iii. For 300 x 300mm, 400 x 300mm or 400 x 400mm attach adaptor arms to interface plate, then to the screen.



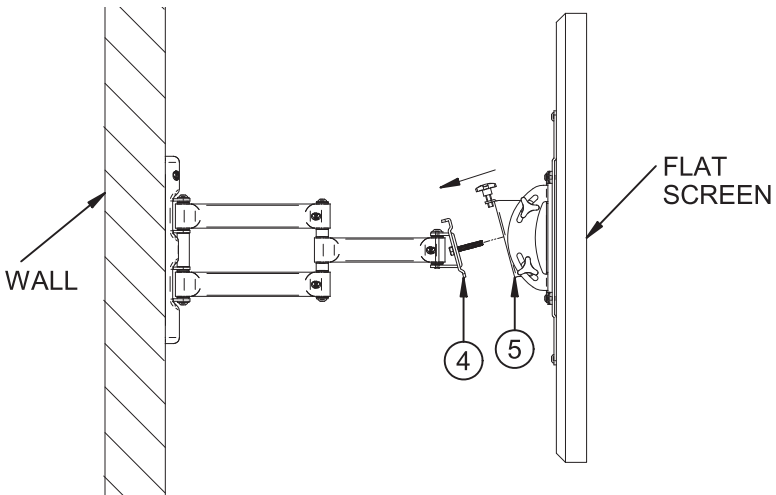
3

Slide the covers on to wall plate.



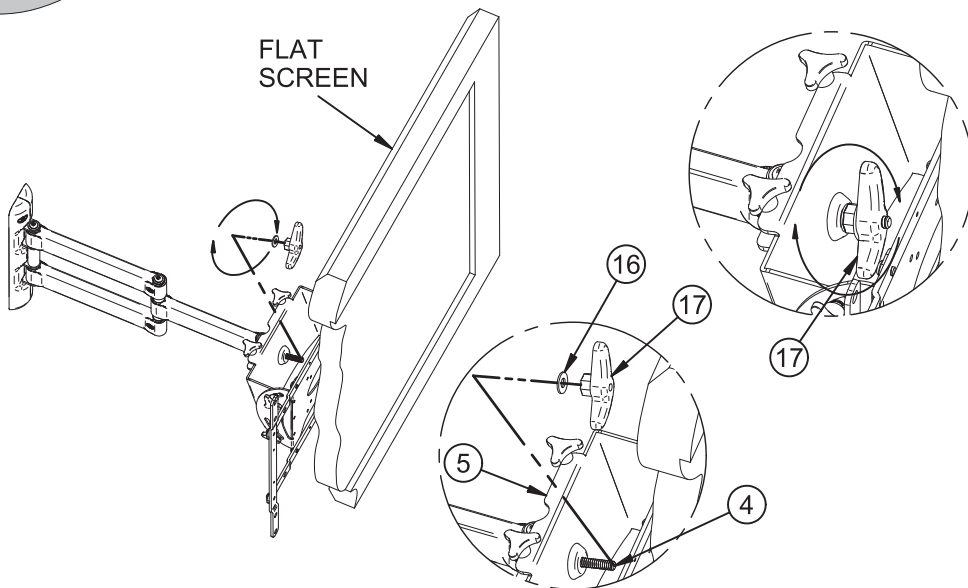
4

Hook the screen onto the mount.



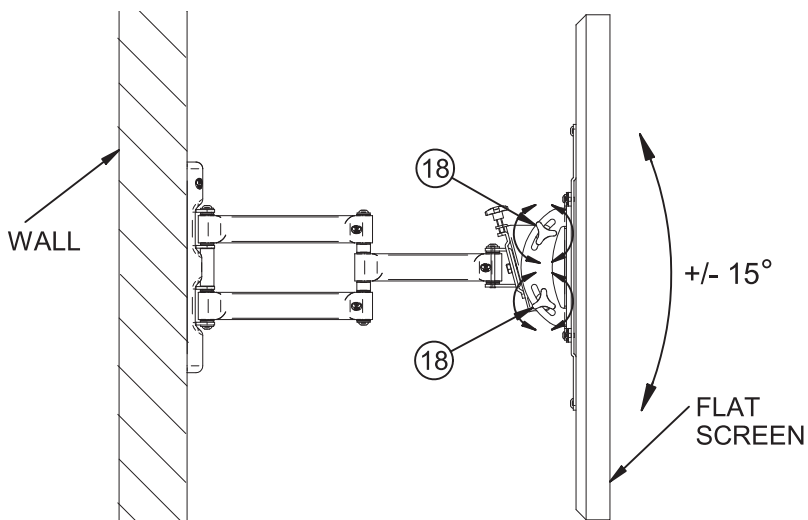
5

Attach handwheel (part 17), and tighten.



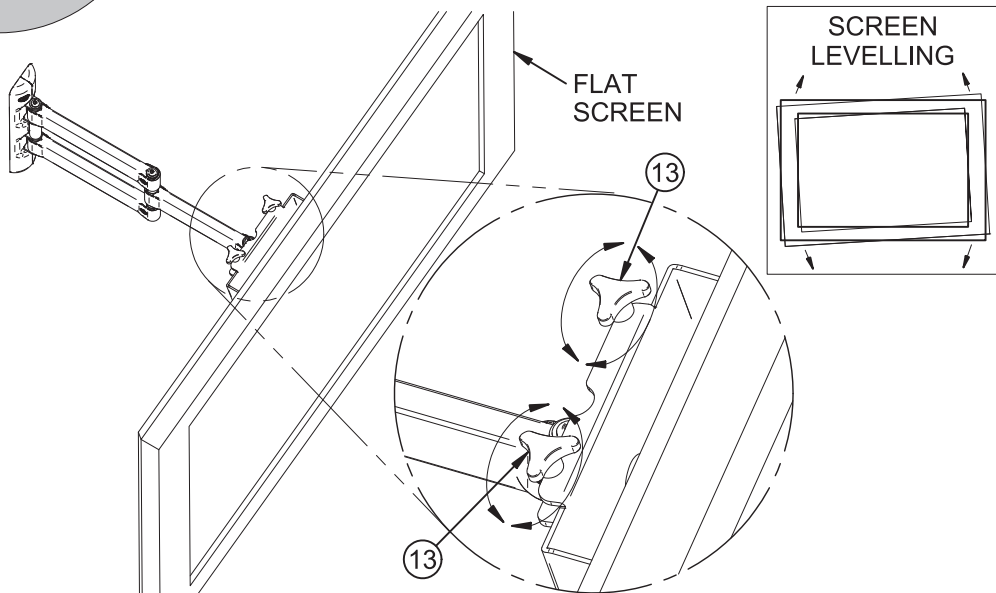
6

Adjust and fix the tilt using parts 18.



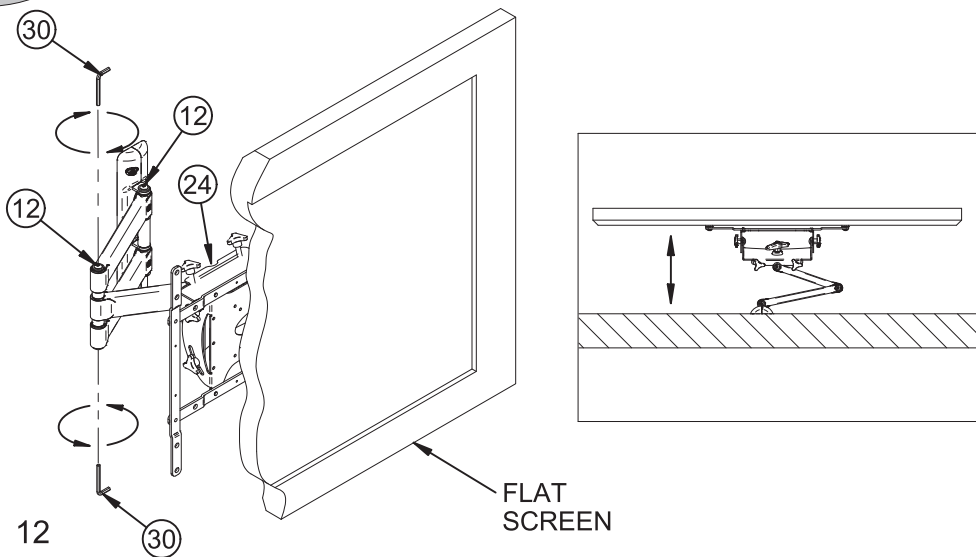
7

To level the screen, adjust parts 13.

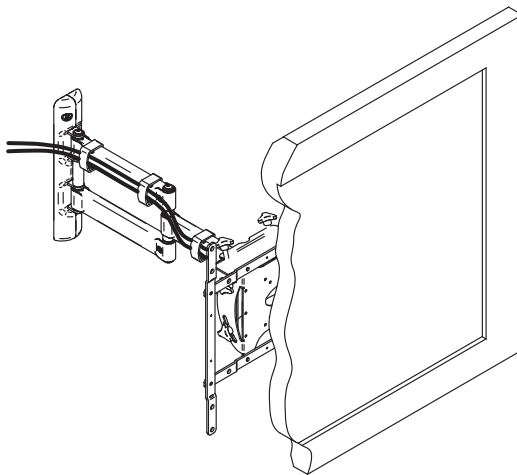
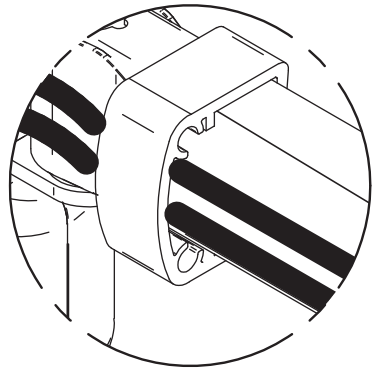
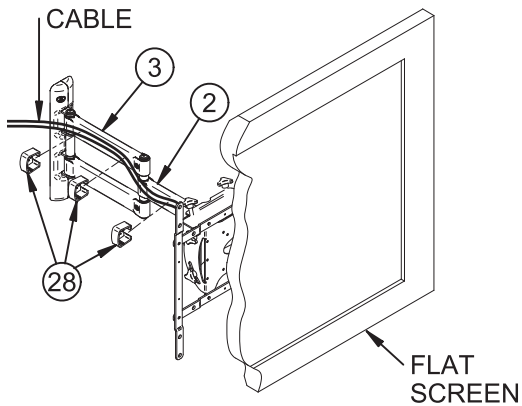


8

To fix extension arm position, tighten parts 12 and 24.

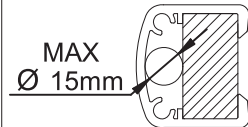


Optional - Cliplogic™ cable management clip



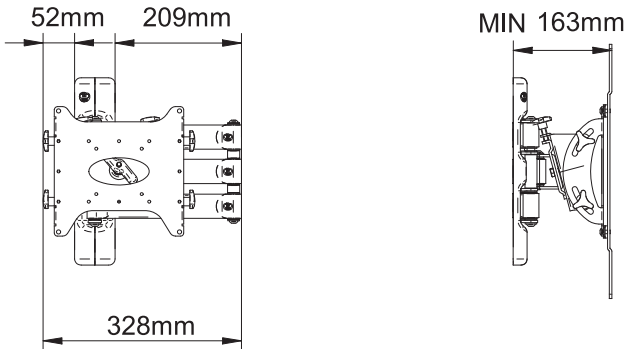
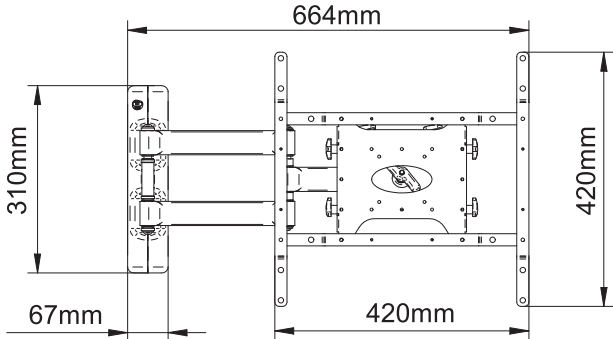
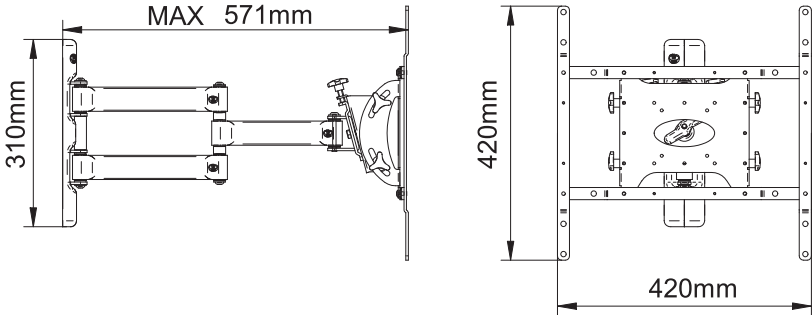
MAXIMUM CABLE THICKNESS

MAX
Ø 15mm



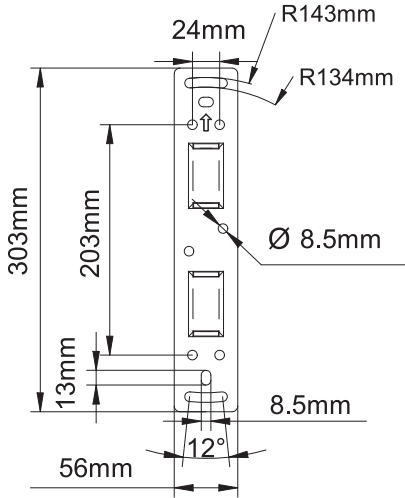
CAUTION: Ensure there is adequate cable slack for movement of the screen, and that cables will not be pinched when the mount is closed.

BT7535 PRODUCT DIMENSIONS

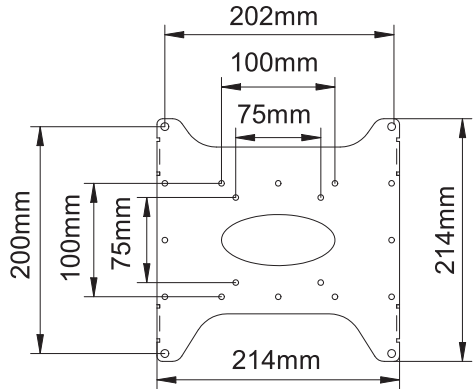


BT7535 PRODUCT DIMENSIONS

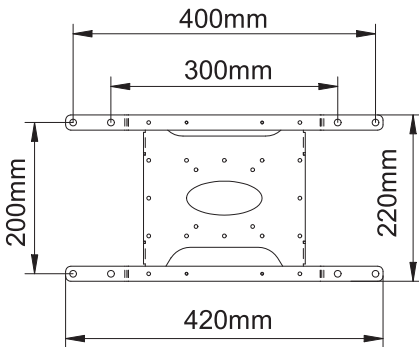
WALL PLATE



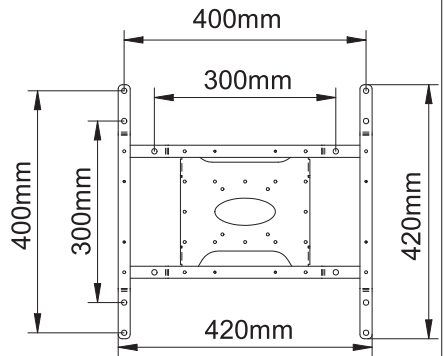
INTERFACE PLATE



INTERFACE PLATE 2 ADAPTOR ARMS



INTERFACE PLATE 4 ADAPTOR ARMS





BETTER BY DESIGN™

www.btechavmounts.com

B-TECH AUDIO VIDEO MOUNTS

HEAD OFFICE

B-Tech International Limited

Bennett House, Long March, Daventry, Northants., NN11 4NR, UK

Email: info@btechavmounts.co.uk

©2015 B-Tech International Limited. All rights reserved.

B-Tech Audio Video Mounts is a division of B-Tech International Limited.

B-Tech & Better By Design are registered trademarks of B-Tech International Limited.

All other brands and product names are trademarks of their respective owners.

Photographs are for illustrative purposes only. E&OE.

AMA-BT7535-V2.3-1115-03 MADE IN P.R.C.