



BT8027



FLAT SCREEN 50MM POLE MOUNT WITH TILT INSTALLATION GUIDE & PARTS LIST

This Pack Contains 1 Pole Mount

PLEASE KEEP THIS FOR FUTURE REFERENCE





Pole sold separately

FEATURES

- Designed for use with Ø50mm (2") poles
- Maximum load: 70kg
- Tilts up to +20° with fixed positions of 0°, 15° and 20°
- Includes 2 collars
- Mounts screen in landscape or portrait style
- Supplied with safety grub screws for secure installation
- Simple hook-on installation with all mounting hardware included
- Must be used with a professional screen mounting solution (BT7507 / BT8500)
- Can be used with both vertical and horizontal poles
- Compatible with BT8009 or BT8027 for back-to-back screen installations (only one screen will tilt)
- CEILING MOUNTS, POLE AND FLAT SCREEN INTERFACE SOLD SEPARATELY

Registered Design Number:
4003130, 4003650

 Actual screen size & weight limit dependent on mount to which BT8027 is mounted to. 



CONTENTS

Installation Safety Notes.....	2
Parts List.....	4
Installations Instructions.....	5
Typical Installations.....	10
Product Dimensions.....	11
B-Tech Contact Details.....	12

INSTALLATION TOOLS REQUIRED

Crosshead
screwdriver



B-TECH AUDIO VIDEO MOUNTS

www.btechavmounts.com

INSTALLATION SAFETY INSTRUCTIONS



CAUTION: This mounting plate is intended for use only with the maximum weights indicated. Use with flat screens heavier than the maximum indicated may result in instability causing possible injury.

Do not attempt to install this product until all instructions and warnings have been read and properly understood. Please keep these instructions for future reference.

B-Tech International Limited, its distributors and dealers are not liable or responsible for damage or injury caused by improper installation, improper use or failure to observe these safety instructions. In such cases, all guarantees will expire.

General

B-Tech International Ltd recommends that a professional AV installer or other suitably qualified person install this product. Great care must always be taken during installation as most AV equipment is of a fragile nature, possibly heavy and easily damaged if dropped.

If you do not fully understand the instructions or are not sure how to install this product safely, then please consult a professional for advice and/or to install this product for you. Failure to mount this product correctly may cause serious injury or death both during installation and at any time thereafter.

Do not mount any AV equipment that exceeds the specific weight limit of the product you are installing. This weight limit will be clearly stated on each product and its packaging and will vary from product to product.

Actual screen size and weight limit dependant on interface to which BT8009 is attached.

Product location

Please pay careful attention to where this product is located. Some walls / ceilings are not suitable for installation. If located in a public or frequently populated area ensure that the product is out of the immediate reach of people. If any AV equipment is to be suspended over the likely path or location of people then great care should be taken to secure all parts of the installation from falling. When drilling holes into walls it is essential to avoid contact with electrical cables and water or gas pipes contained within. Use of a good quality live wire detector and hidden object locator is therefore recommended. Only drill into structures when you are sure it is safe to do so.

Fixing hardware

It is highly recommended that all wall fixing screws be used where supplied and that the purpose of all other fixing hardware is fully understood. In some cases more AV equipment fixing hardware will be supplied to accommodate different models of equipment and set up configurations. The installer must be satisfied that any supplied fixing hardware is suitable for each specific installation. If any fixing screws or included hardware are deemed not sufficient for a safe installation then please consult a professional or your local hardware store.

Hazard limitation

When routing cables take advantage of any built in cable management features that the product might provide and ensure that all cables are tidy and secure. Check to see that any moving aspect of the product can do so unhindered by any cabling. Some products have moving parts and the potential to cause injury through the crushing or trapping of fingers or other body parts. Particular attention to the nature of moving parts is required especially when assembling installing and adjusting during set up.

Immediately after installations double-check that the work done is safe and secure. Double-check all necessary fixings are present and are of ample tightness.

It is recommended that periodic inspections of the product and its fixing points are made as frequently as possible to ensure that safety is maintained. If in doubt consult a professional AV installer or other suitably qualified person.

CS

Společnost B-Tech International Ltd. doporučuje provést instalaci tohoto produktu prostřednictvím odborného instalátora AV či jinak způsobilé osoby. Společnost B-Tech International Ltd, její distributoři a prodejci nenesou odpovědnost za škody nebo zranění způsobená nevhodnou instalací. Tento výrobek je nutno umístit do vhodné konstrukce a používat jen po uvedené maximální výšce.

DE

B-Tech International Ltd. empfiehlt, dass dieses Produkt durch einen qualifizierten AV-Techniker oder eine andere Person mit geeigneter Qualifikation installiert wird. B-Tech International Ltd, ihre Distributoren und Händler können nicht für durch fehlerhafte Montage verursachte Beschädigung oder Verletzung haftbar bzw. verantwortlich gemacht werden. Dieses Produkt muss auf eine geeignetem Untergrund montiert werden und darf nur bis zum angegebenen Höchstgewicht verwendet werden.

ES

B-Tech International Ltd. recomienda que un instalador de audio y video profesional u otra persona debidamente cualificada instalen este producto. B-Tech International Ltd, sus distribuidores y concesionarios no se hacen cargo ni se responsabilizan de ningún daño o lesión provocados por una instalación inapropiada. Este producto se debe montar en una estructura adecuada y se debe utilizar soportando solamente hasta el peso máximo indicado.

FR

B-Tech International Ltd. recommande de confier l'installation de ce produit à un installateur AV professionnel ou à une autre personne dûment qualifiée. B-Tech International Ltd, ses distributeurs et ses revendeurs ne sauraient être tenus responsables de tout dégât ou de toute blessure résultant d'une installation incorrecte. Ce produit doit être monté sur un support approprié et utilisé dans la limite du poids maximum indiqué.

IT

B-Tech International Ltd. consiglia di affidare l'installazione di questo prodotto a un installatore specializzato o ad altra persona adeguatamente qualificata. B-Tech International Ltd, i suoi distributori e rivenditori non accettano alcuna responsabilità nei riguardi di eventuali danni o infortuni causati da un'errata installazione. Questo prodotto deve essere fissato a una struttura idonea e utilizzato unicamente sino al peso massimo indicato.

NL

B-Tech International Ltd. adviseert om dit product te laten installeren door een professionele AV-installateur of andere hiervoor gekwalificeerde persoon. B-Tech International Ltd, haar distributeurs en dealers zijn niet aansprakelijk of verantwoordelijk voor schade of letsel die is veroorzaakt door onoordeelkundige installatie. Dit product moet worden gemonteerd aan een geschikte constructie, waarbij het aangegeven maximum gewicht niet mag worden overschreden.

PL

Firma B-Tech International Ltd. zaleca, aby ten produkt był instalowany przez profesjonalnych instalatorów AV lub inny odpowiednio przeszkolony personel. Firma B-Tech International Ltd, jej dystrybutorzy i dealerzy nie ponoszą odpowiedzialności za uszkodzenia lub obrażenia ciała powstałe w wyniku nieprawidłowej instalacji. Niniejszy produkt musi być zamontowany na odpowiedniej powierzchni, a podczas użytkowania nie wolno przekraczać podanego maksymalnego obciążenia.

PT

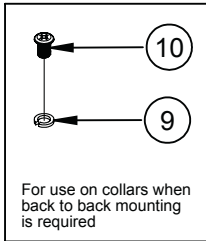
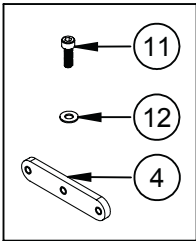
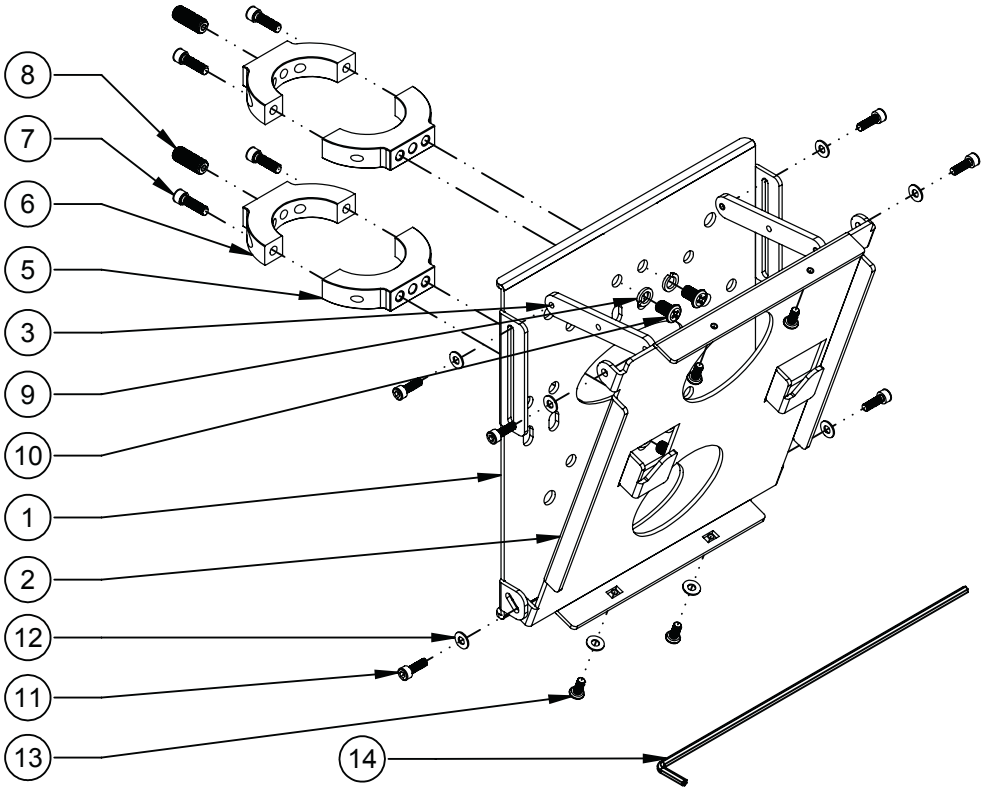
A B-Tech International Ltd. recomenda que a instalação deste produto seja efectuada por um instalador de AV profissional ou outra pessoa devidamente habilitada. A B-Tech International Ltd. e os seus distribuidores e concessionários não são responsáveis por danos ou lesões causados por uma instalação incorrecta. Este produto tem de ser montado numa estrutura adequada e utilizado somente até ao peso máximo indicado.

RU

Компания B-Tech International Ltd. рекомендует, чтобы установка данного изделия производилась инженером по установке аудио-видеотехники или другим специалистом с соответствующей квалификацией. Компания B-Tech International Ltd., ее дистрибьюторы и дилеры не несут ответственности за повреждения или травмы, полученные в результате неправильной установки. Данное изделие должно

توصي بي-تيك للتجارة الدولية المحدودة بأن شخص محترف في تركيب ال AV او شخص مؤهل تأهيلا مناسباً لتركيب هذا المنتج بي-تيك للتجارة الدولية، موزعيها والتجار ليست عرضة أو مسؤولة عن الأضرار أو الإصابات الناجمة عن تركيب غير سليم، والاستخدام غير السليم أو عدم مراعاة هذه التعليمات للسلامة. يجب أن يتم تركيب هذا المنتج في بنية مناسبة ويجب استخدام فقط لدعم الحد الأقصى للوزن المشار إليه.

BT8027 PARTS LIST



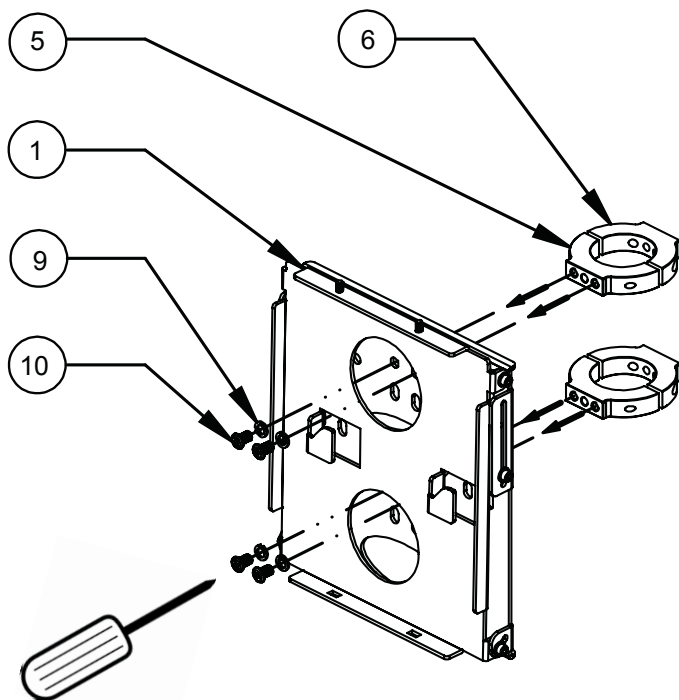
Suitable for loads
up to 70kg

REF	PART NAME	QTY
1	BACK PLATE	1
2	TILT PLATE	1
3	LONG TILT ARM	2
4	SHORT TILT ARM	2
5	COLLAR A	2
6	COLLAR B	2
7	M6 x 20mm SCREW	4
8	M8 x 25mm SAFETY GRUB SCREW	2
9	M8 SPRING WASHER	8
10	M8 x 12mm SCREW	8
11	M5 x 16mm SCREW	8
12	M5 WASHER	12
13	M5 x 12mm SCREW	4
14	4mm SECURITY ALLEN KEY	1

INSTALLATION INSTRUCTIONS

1

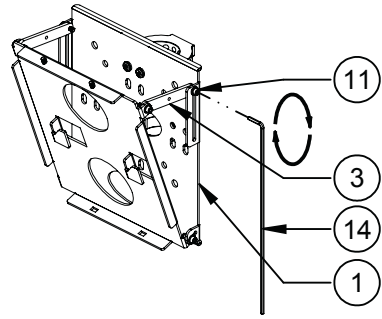
Attach collars (parts 5 and 6) to the mounting plate (part 1)



Adjust and fix the tilt angle.

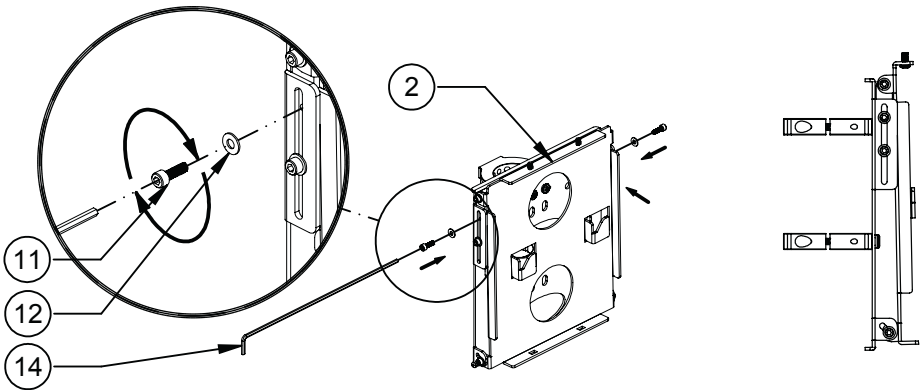
A) For 20° tilt

- i) To fix the tilt pull the tilt plate forward to 20° then tighten.



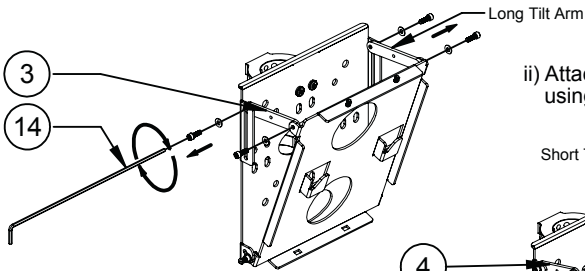
ii) Flat:

- To fix flat push the tilt plate flat and insert screws through the tilt plate and into the tilt arm.

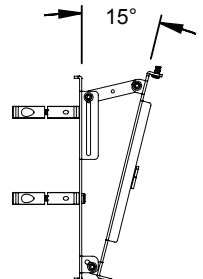
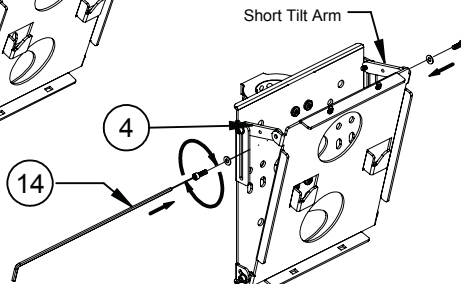


B) For 15° tilt:

- i) Remove screws and washers from the long tilt arm and replace the tilt arm with (part 4) short tilt arm.



- ii) Attach the short arm to the tilt plate using the same screws and washers.

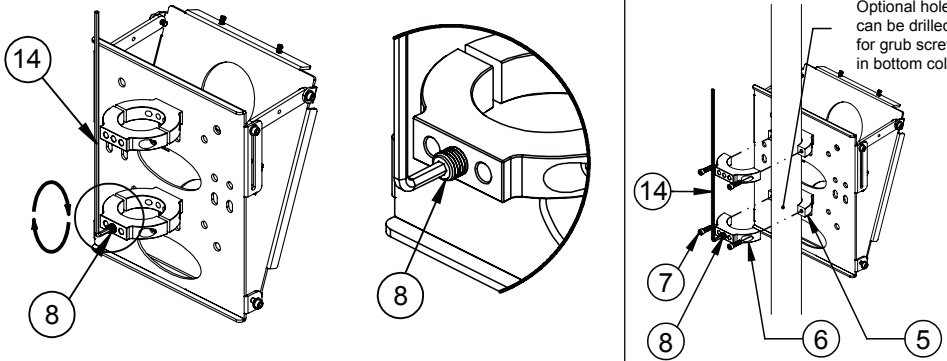


3

Loosley fit the safety grub screw (part 8) in collar

If required mount can be retro fitted as shown

Optional hole can be drilled for grub screw in bottom collar.



4

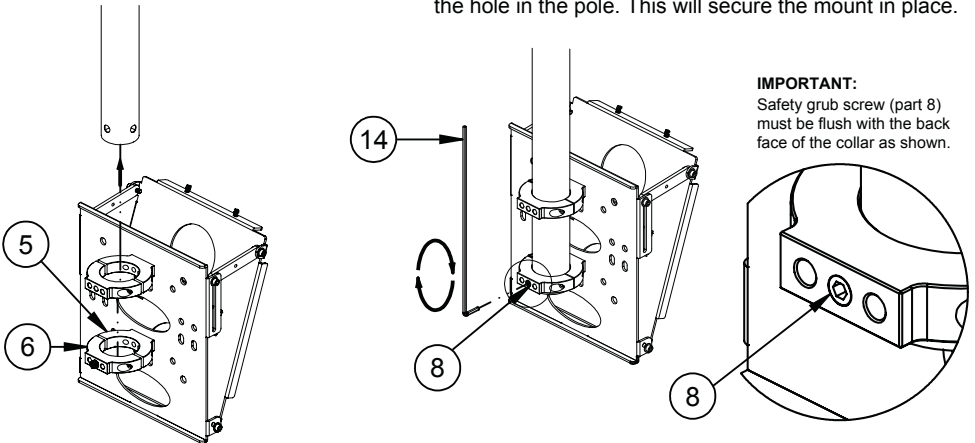
Attach the mount to the pole

i) Slide Collars onto the pole.

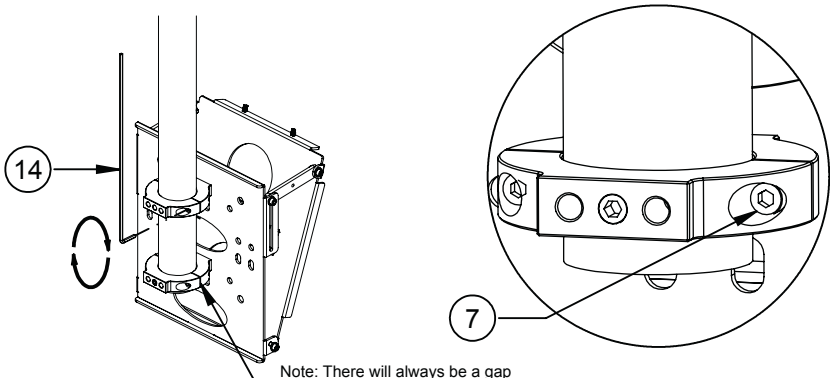
ii) Fit the grub screw (part 8) into the collar and through the hole in the pole. This will secure the mount in place.

IMPORTANT:

Safety grub screw (part 8) must be flush with the back face of the collar as shown.



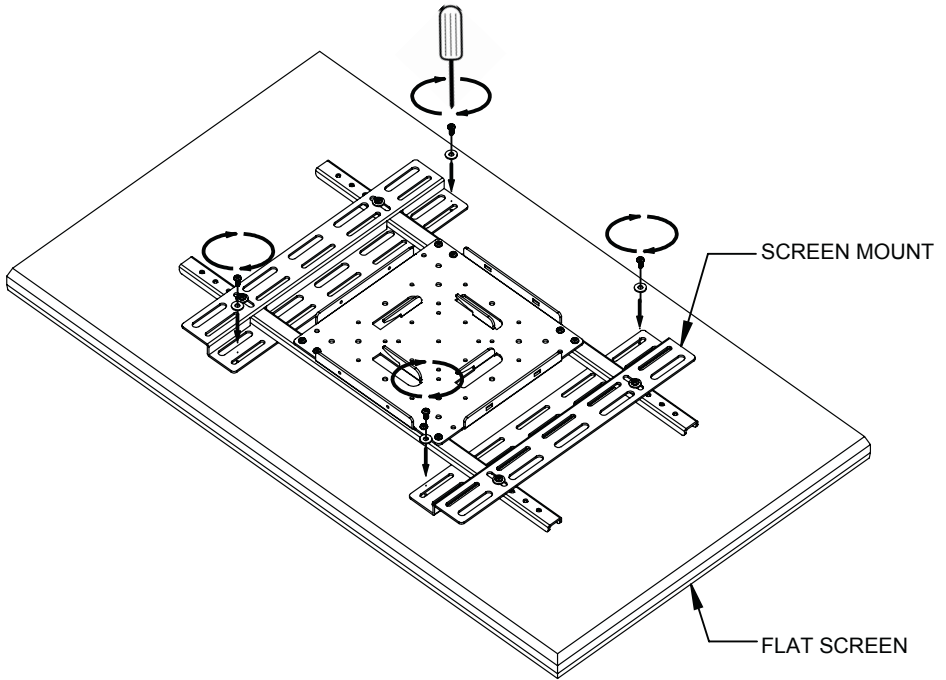
iii) Fasten mount to the pole by tightening the pre-fitted screws (part 7) on all collars ensuring the gap between collar halves on both sides are equal.



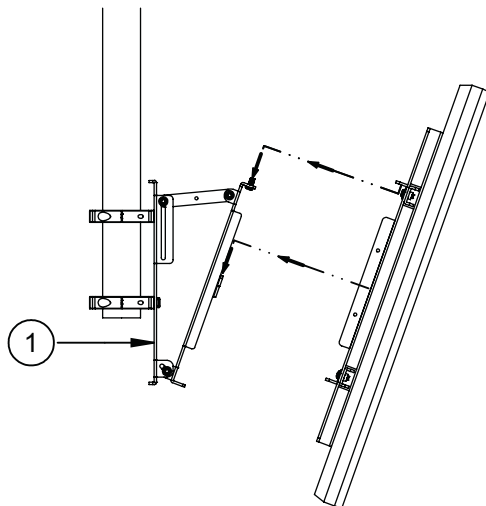
Note: There will always be a gap between collars when fully tightened.

5

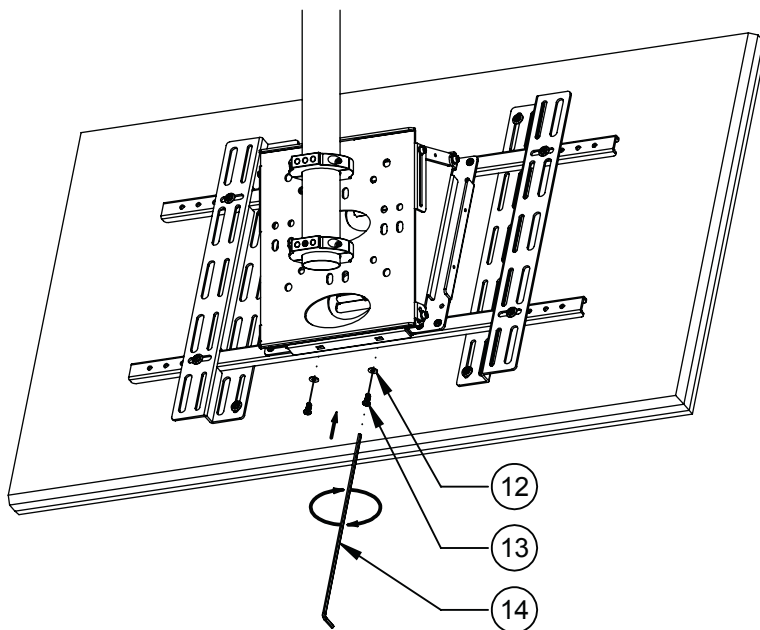
i) Fix the screen mount (*sold separately*) to the flat screen



ii) Hook the flat screen onto the mounting plate

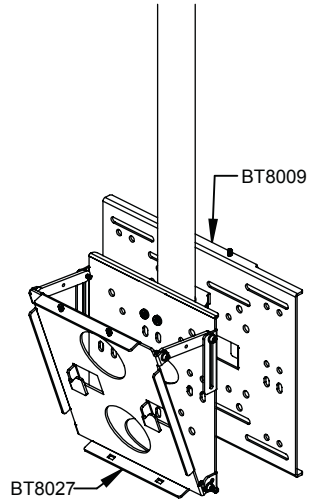
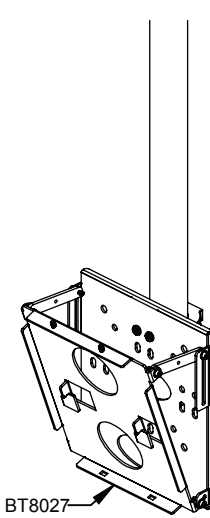


iii) Secure in position using M5 x 12mm screws and M5 washers



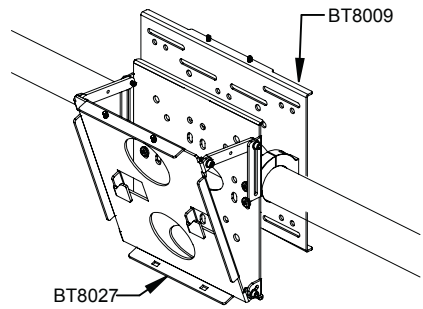
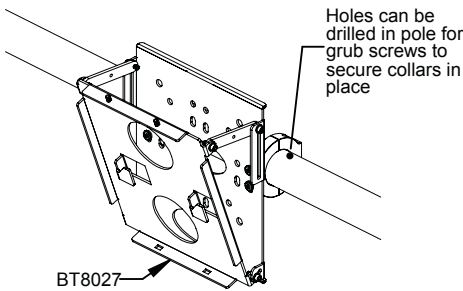
TYPICAL INSTALLATIONS

A. Vertical pole configurations



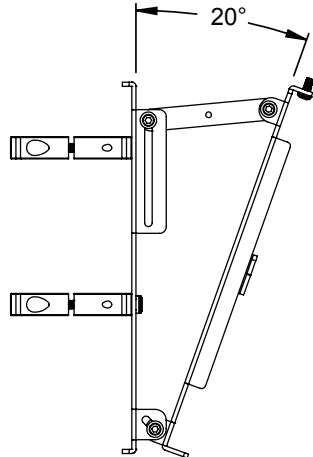
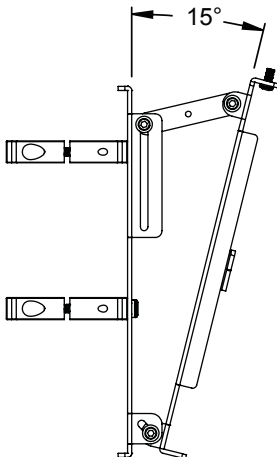
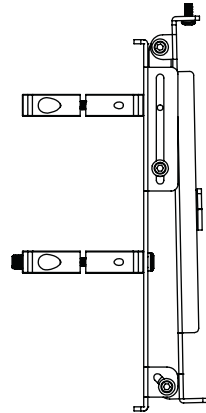
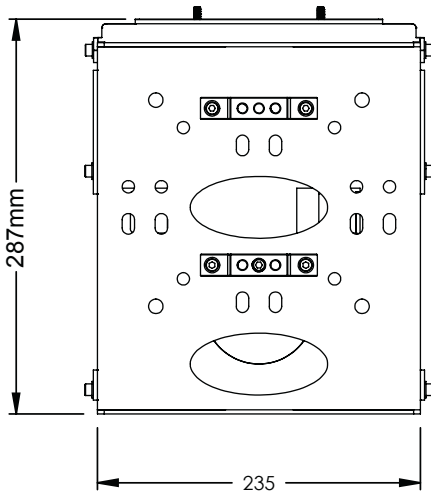
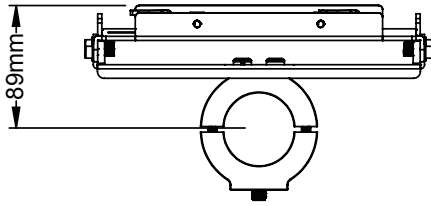
Back-to-back screen mounting

B. Horizontal pole configurations



Back-to-back screen mounting

BT8027 PRODUCT DIMENSIONS



THESE INSTRUCTIONS ARE INTENDED AS A GUIDE ONLY AND B-TECH ACCEPTS NO LIABILITY FOR THE ACCURACY OF THE INFORMATION CONTAINED IN THIS DOCUMENT.



www.btechavmounts.com

B-TECH AUDIO VIDEO MOUNTS

HEAD OFFICE

B-Tech International Limited

Bennett House, Long March, Daventry, Northants., NN11 4NR, UK

Email: info@btechavmounts.com

©2014 B-Tech International Limited. All rights reserved.

B-Tech Audio Video Mounts is a division of B-Tech International Limited.

B-Tech & Better By Design are registered trademarks of B-Tech International Limited.

All other brands and product names are trademarks of their respective owners.

Photographs are for illustrative purposes only. E&OE.