



**EASY  
TORSION-TILT  
SYSTEM**

# BT8432

## UNIVERSAL FLAT SCREEN WALL MOUNT WITH TILT



Designed to mount large to extra-large sized screens, the BT8432 is a flat screen wall mount that features a unique 'Torsion-Tilt' mechanism which allows easy tilt adjustment of the screen up to +/-15°. Also suitable for pole mounting using B-Tech's Accessory Collars, the BT8432 features levelling screws to adjust the screen level post installation as well as locking screws which help prevent unauthorised removal of the screen.

### SPECIFICATION

Recommended screen size	49" - 80"
Max load	70kg*
VESA® compatibility	up to 600 x 400
Universal fixings	up to 677mm x 400mm
Tilt adjustment	+/-15°
Distance from wall (flat)	81mm
Distance from wall (full tilt)	148mm
Colour	Black

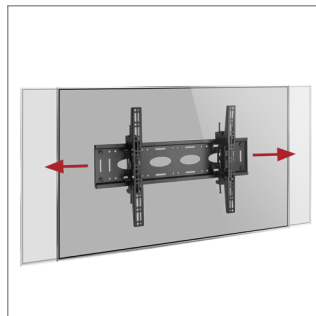
\*Please note the maximum load is reduced to 50kg when pole mounted

### FEATURES

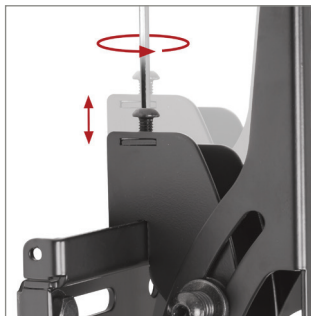
- Unique 'Torsion-Tilt' mechanism for easy tilt adjustment
- Post installation screen alignment for perfect screen positioning
- Compatible with B-Tech's collar and pole system for pole mounting screens
- Arms feature levelling screws to adjust the screen height
- Safety screws help prevent unauthorised removal of screens
- Simple 'hook-on' installation
- All mounting hardware included



Unique 'Torsion-Tilt' mechanism allows for easy tilt adjustment up to +/-15°



Post installation lateral screen alignment for perfect screen positioning



Arms feature levelling screws to adjust the screen height once mounted



Security locking screws and Allen key provided for a secure installation



