

PPC 1585 Projector ceiling mount white

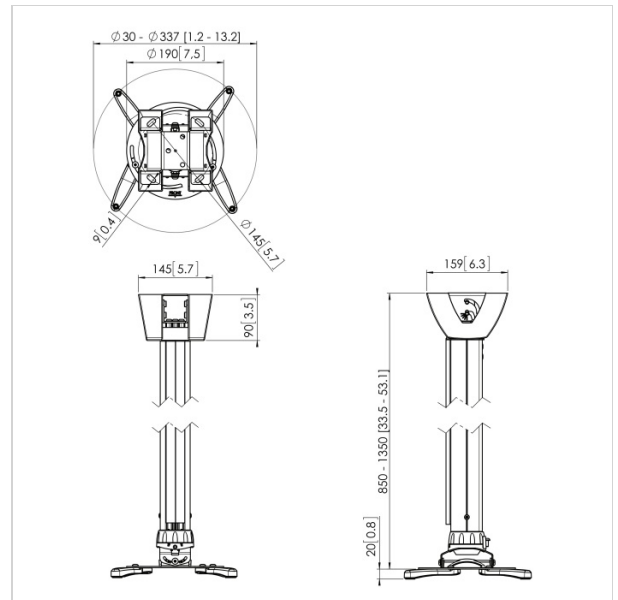
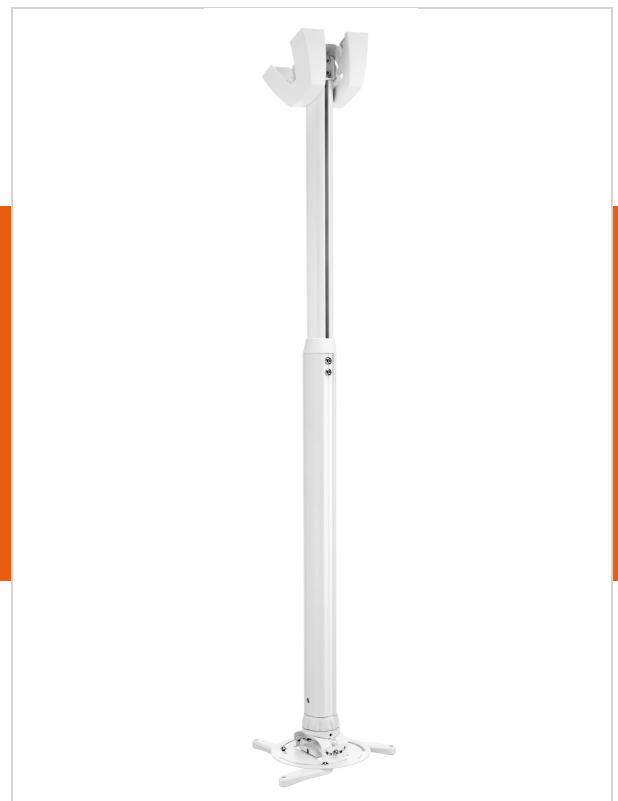
Article number (SKU) 7015851
 Colour White

Key benefits

- Cables fully concealed
- Fine tuning during installation
- Theft prevention
- TÜV certified

The PPC 1585 is a height adjustable projector mount specially designed for the latest generation of projectors weighing up to 15 kg. This projector interface is equipped with fine tune adjustability for precise alignment to the projection surface. Once aligned, the projector stays in position. Turning the unique friction ring will eliminate all play from the interface connections, making the mount a solid and very stable solution.

The height adjustable projector ceiling mount kits can be used when the height of the ceiling is not known or when flexibility is wanted. These mounts come in 3 lengths offering variable height adjustment from 400 to 1350 mm. The Cable Inlay System runs the full length of the pole and even allows for cable routing after installation. The offers sufficient space for all cables required and enables you to hide all the cables in a matter of seconds.





PPC 1585 Projector ceiling mount white

www.vogels.com

VOGEL'S HOLDING BV 2018 (c) All rights reserved
Subject to printing errors, technical and price
amendments
Date: 18-01-2018

Specifications

Product specifications

| | |
|-----------------------|----------------|
| Product type number | PPC 1585 |
| Article number (SKU) | 7015851 |
| Colour | White |
| EAN single box | 8712285325205 |
| TÜV certified | Yes |
| Tilt | Tilt up to 15° |
| Turn | Up to 360° |
| Roll | 15 |
| Guarantee | 5 years |
| Max. weight load (kg) | 15 |

Features

| | |
|-----------------------|----------------|
| Professional features | Fischer inside |
| Range (diameter) | 30 - 337 mm |

Technical specifications and dimensions

| | |
|-------------------------------|------|
| Min. distance to ceiling (mm) | 850 |
| Max. distance to ceiling (mm) | 1350 |

