

PPL 2100 Projector lift system

Article number (SKU) 7021004
 Colour Silver



Key Benefits

- Cable management, Easy to install, Theft prevention, TÜV certified

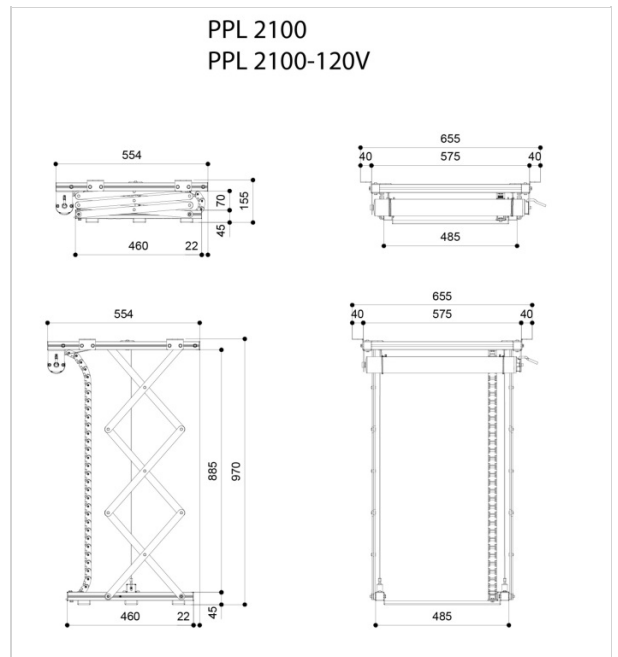
The PPL 2100 projector lift system is the perfect solution for the integration of a large and heavy projector into a ceiling where an aesthetical solution is required. Not only is the projector neatly hidden, it is also theft delaying. The lifts runs silently and offers two adjustable positions: top and show.

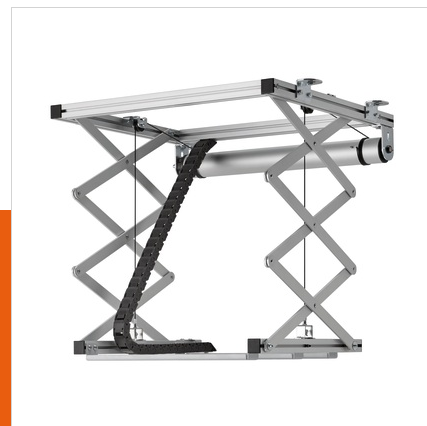
This lift has been developed to be installed inside a false ceiling where very few space is available. Inside the false ceiling only a minimum height of 15,5 cm is required to install lift (excluding projector). The motor allows a drop of 81,5 cm.

The maximum weight capacity of the projector lift is 30 kg.

The PPL 2100 is supplied with extendable side brackets in order to position the ceiling tile exactly in the ceiling tile grid. The lift is equipped with two safety screws that prevent the lift to extent further to the preset end stop.

This lift is also available as a 120 V, 60 Hz version.





PPL 2100 Projector lift system

VOGEL'S HOLDING BV 2018 (c) All rights reserved
 Subject to printing errors, technical and price
 amendments
 Date: 19-09-2018

www.vogels.com

Specifications

Product specifications

Product type number	PPL 2100
Article number (SKU)	7021004
Colour	Silver
EAN single box	8712285338380
TÜV certified	Yes
Guarantee	2 years
Guarantee on Electrical Parts	2 years
Max. weight load (kg)	30

Features

Professional features Motorized
 Range (diameter)

Average power consumption (W)	184
Voltage (V)	220-230 V, 50 Hz
Min. distance to ceiling (mm)	155
Max. distance to ceiling (mm)	970
Length of projector lift (mm)	554
Width of projector lift (mm)	575

